



US00D489866S

(12) **United States Design Patent** (10) **Patent No.:** **US D489,866 S**  
**Brown** (45) **Date of Patent:** **\*\* May 18, 2004**

(54) **TEAT CUP REPLACEABLE LINER**

(76) **Inventor:** **Stan A. Brown**, 2144 Chardony,  
Hanford, CA (US) 93230

(\*\*) **Term:** **14 Years**

(21) **Appl. No.:** **29/190,462**

(22) **Filed:** **Sep. 19, 2003**

**Related U.S. Application Data**

(62) Division of application No. 29/158,932, filed on Apr. 12,  
2002, now Pat. No. Des. 480,184.

(51) **LOC (7) Cl.** ..... **30-99**

(52) **U.S. Cl.** ..... **D1/199**; 119/14.47

(58) **Field of Search** ..... D30/199; 119/14.47,  
119/14.49, 53, 14.02, 14.5, 14.51, 14.52,  
14.53, 14.54

(56) **References Cited**

**U.S. PATENT DOCUMENTS**

4,745,881	A	5/1988	Larson	119/14.51
4,756,275	A	7/1988	Larson	119/14.49
4,964,368	A	10/1990	Ball et al.	119/14.49
D327,552	S	* 6/1992	Lallerstedt	D30/199
5,482,004	A	1/1996	Chowdhury	119/14.52
5,572,947	A	11/1996	Larson et al.	119/14.51
5,666,904	A	9/1997	Grindal	119/14.02
5,931,116	A	* 8/1999	van Staaldunin	119/14.47
5,967,082	A	* 10/1999	Petterson et al.	119/14.47
5,979,358	A	11/1999	Ornerfors et al.	119/14.02

6,039,001	A	3/2000	Sanford	119/14.47
6,058,879	A	5/2000	Miefalk	119/14.47
6,164,243	A	12/2000	Larson	119/14.49
6,176,200	B1	1/2001	Petterson	119/14.47
D447,840	S	9/2001	Alveby et al.	D30/199
6,308,656	B1	10/2001	Milbrath et al.	119/14.47

\* cited by examiner

*Primary Examiner*—Pamela Burgess

(74) *Attorney, Agent, or Firm*—Daniel J. Meaney, Jr.

(57) **CLAIM**

The teat cup replaceable liner, as shown and described.

**DESCRIPTION**

FIG. 1 is a top, front and left side perspective view of a teat cup replaceable liner showing my new design;

FIG. 2 is a bottom, rear and right side perspective view thereof;

FIG. 3 is a front elevational view thereof;

FIG. 4 is a left side elevational view thereof;

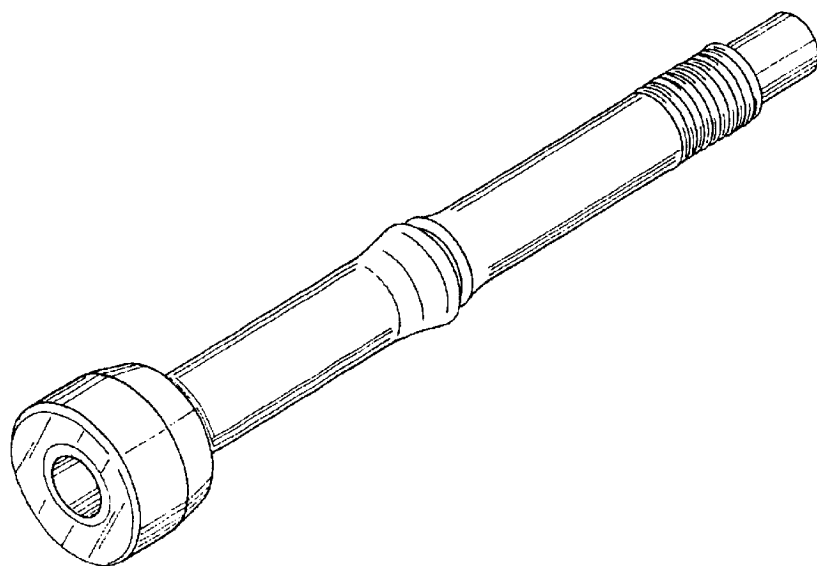
FIG. 5 is a right side elevational view thereof;

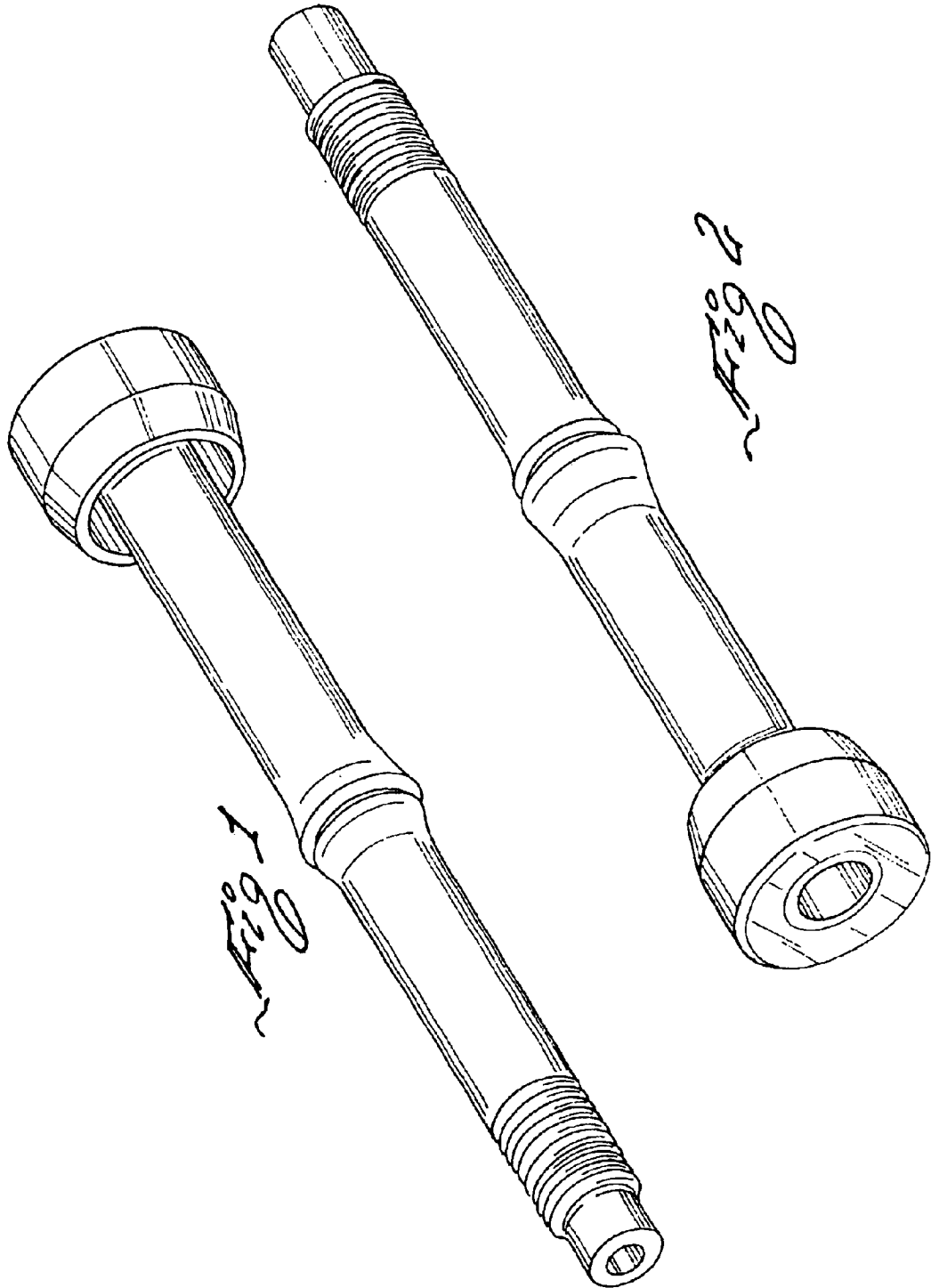
FIG. 6 is a top plan view thereof; and,

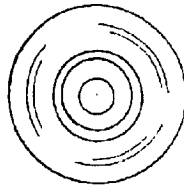
FIG. 7 is a bottom plan view thereof.

The characteristic features of this design reside in the distinctive appearance of a teat cup shell having a shaped edge structure at one end for receiving and supporting a mouthpiece of a replaceable liner, of an unelongated replaceable liner having a mouthpiece adapted to cooperate with a shaped edge of a teat cup shell and of an assembled elongated teat cup replaceable liner.

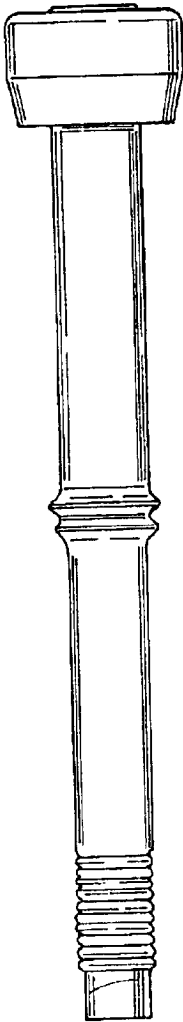
**1 Claim, 2 Drawing Sheets**



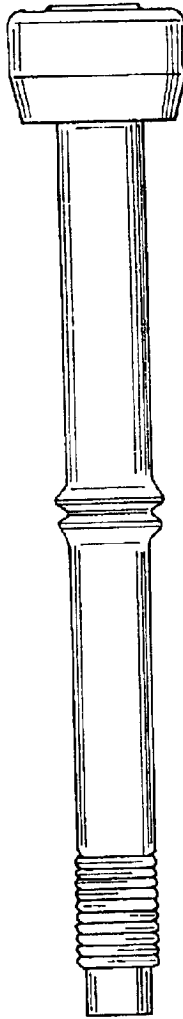




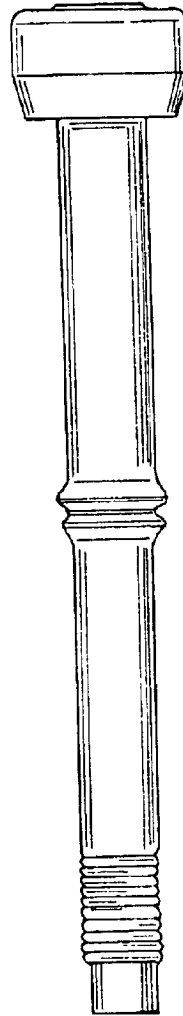
*Fig 5*



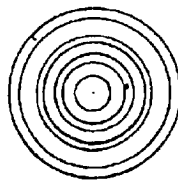
*Fig 7*



*Fig 8*



*Fig 6*



*Fig 4*