



US00D480184S

(12) **United States Design Patent** (10) **Patent No.:** **US D480,184 S**
Brown (45) **Date of Patent:** **** Sep. 30, 2003**

(54) **COMBINED TEAT CUP SHELL AND REPLACEABLE LINER THEREFOR**
(76) Inventor: **Stan A. Brown**, 2144 Chardony, Hanford, CA (US) 93230
(**) Term: **14 Years**
(21) Appl. No.: **29/158,932**
(22) Filed: **Apr. 12, 2002**
(51) **LOC (7) Cl.** **30-99**
(52) **U.S. Cl.** **D30/199**; 119/14.47
(58) **Field of Search** D30/199, 158; 119/14.01, 14.02, 14.08, 14.5, 14.38, 14.34, 14.43, 14.23, 14.47, 14.54, 14.53

5,572,947 A 11/1996 Larson et al. 119/14.51
5,666,904 A 9/1997 Grindal 119/14.02
5,967,082 A * 10/1999 Petterson et al. 119/14.47
5,979,358 A 11/1999 Ornerfors et al. 119/14.02
6,039,001 A 3/2000 Sanford 119/14.47
6,058,879 A 5/2000 Miefalk 119/14.47
6,164,243 A 12/2000 Larson 119/14.49
6,176,200 B1 1/2001 Petterson 119/14.47
D447,840 S 9/2001 Alveby et al. D30/199
6,308,656 B1 10/2001 Milbrath et al. 119/14.47

* cited by examiner

Primary Examiner—Pamela Burgess

(74) *Attorney, Agent, or Firm*—Daniel J. Meaney, Jr.

(57) **CLAIM**

The combined teat cup shell and replaceable liner therefor, as shown and described.

DESCRIPTION

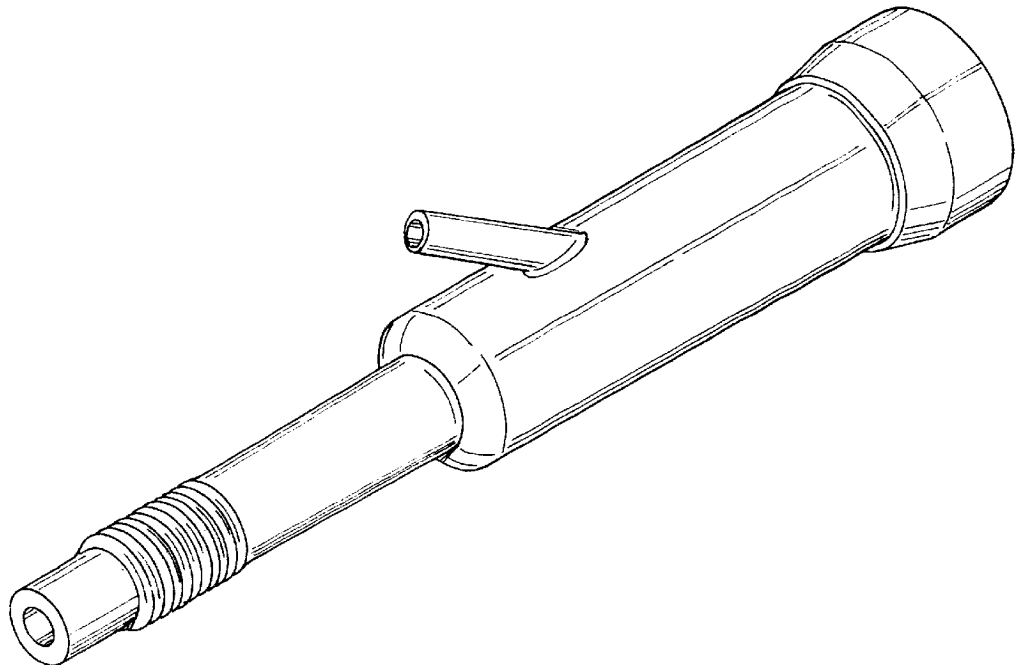
FIG. 1 is a top, front and left side perspective view of a combined teat cup and replaceable liner therefor showing my new design;
FIG. 2 is a bottom, rear and right side perspective view thereof;
FIG. 3 is a front elevational view thereof;
FIG. 4 is a left side elevational view thereof;
FIG. 5 is a right side elevational view thereof;
FIG. 6 is a top plan view thereof; and,
FIG. 7 is a bottom plan view thereof.

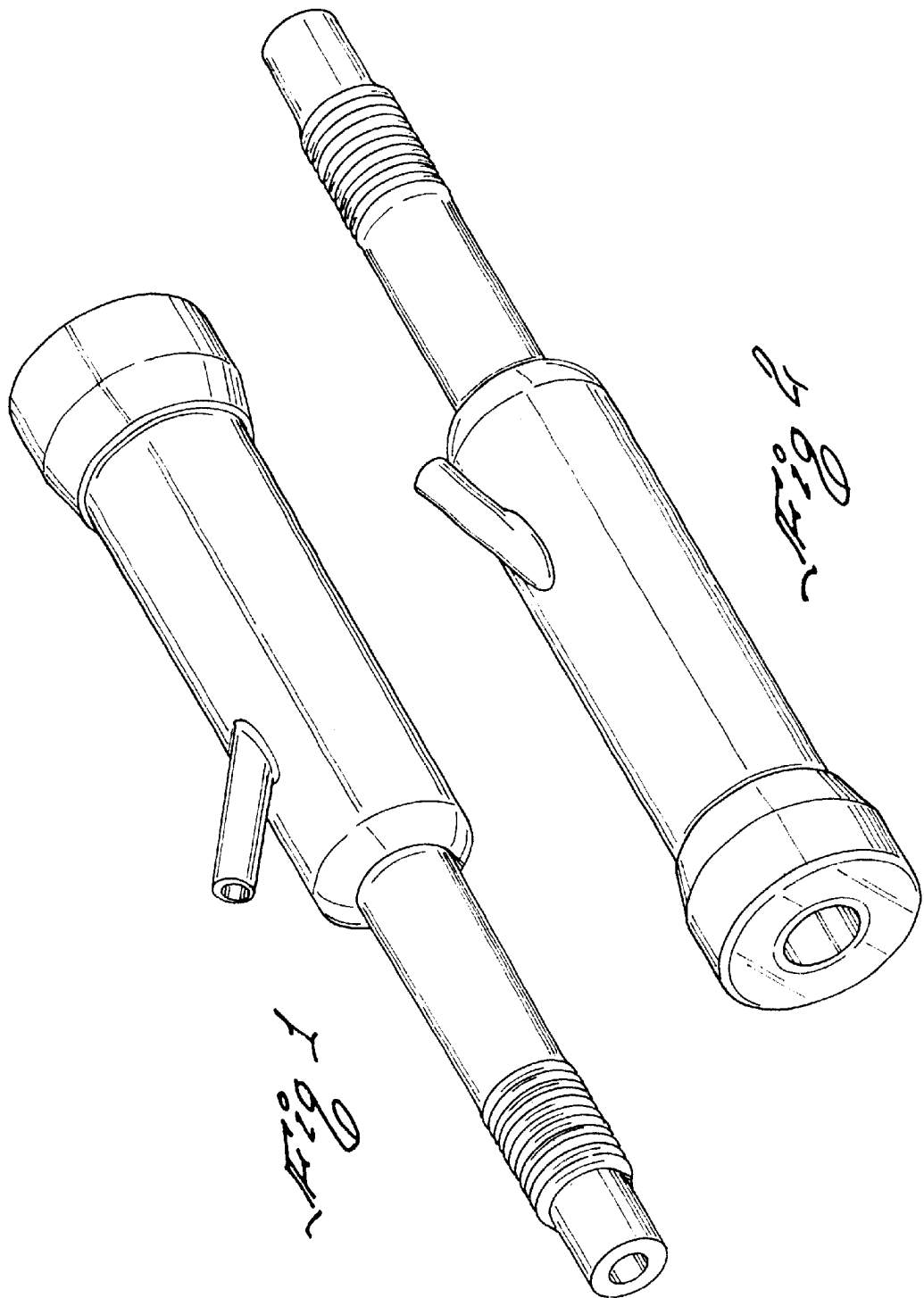
1 Claim, 2 Drawing Sheets

(56) **References Cited**

U.S. PATENT DOCUMENTS

2,340,296 A * 2/1944 Bender 119/14.02
2,621,626 A * 12/1952 Harris 119/53
2,687,112 A * 8/1954 Shurts 119/14.49
2,944,514 A * 7/1960 Nesseth 119/14.49
3,148,661 A * 9/1964 Lindsey 119/14.5
4,610,220 A * 9/1986 Goldberg et al. 119/14.47
4,745,881 A 5/1988 Larson 119/14.51
4,756,275 A 7/1988 Larson 119/14.49
4,964,368 A 10/1990 Ball et al. 119/14.49
D324,591 S * 3/1992 Lallerstedt D30/199
D327,552 S * 6/1992 Lallerstedt D30/199
5,482,004 A 1/1996 Chowdhury 119/14.52





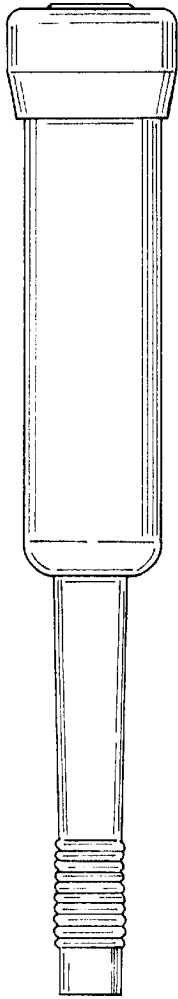


Fig. 1

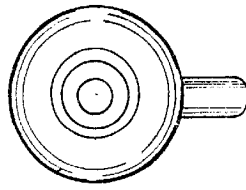


Fig. 5

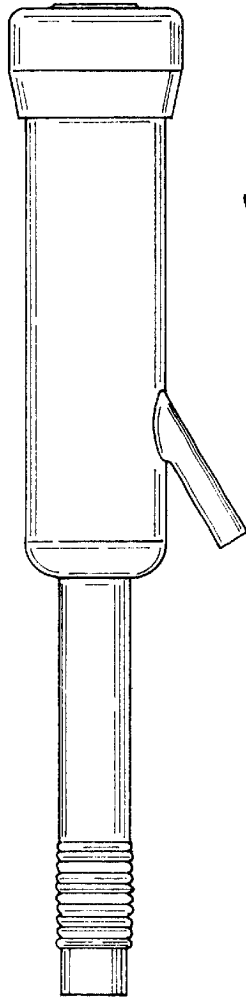


Fig. 2

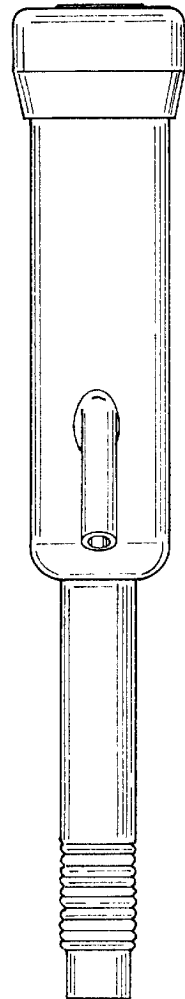


Fig. 3

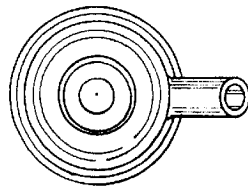


Fig. 4